

MATERIALS AND FINISHES

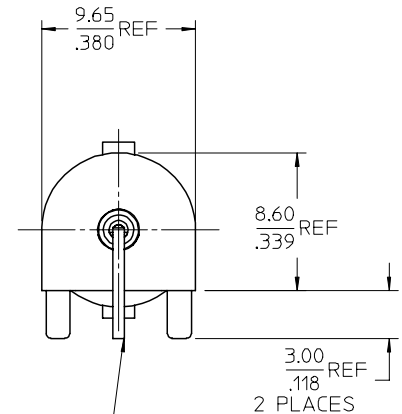
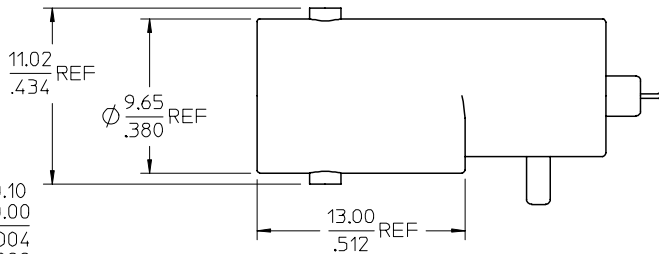
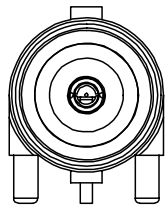
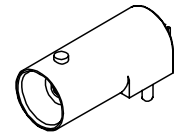
BODY ZINC ALLOY
PLATED NICKEL

CENTER CONTACT PHOSPHOR BRONZE
PLATED GOLD/TIN

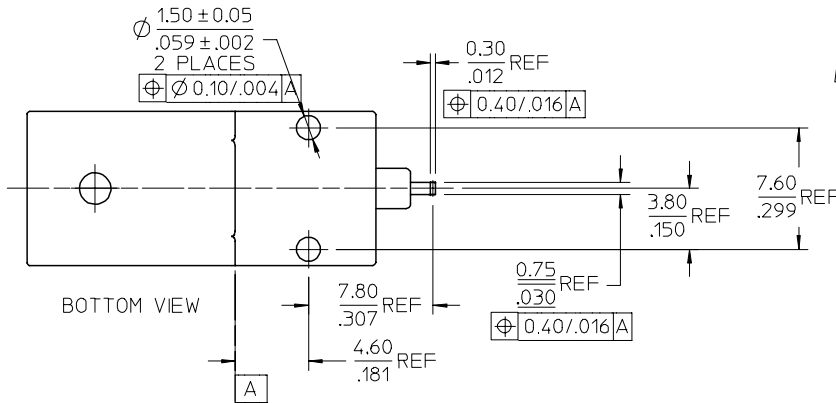
INSULATOR POLYPROPYLENE

BNC JACK
INTERFACE

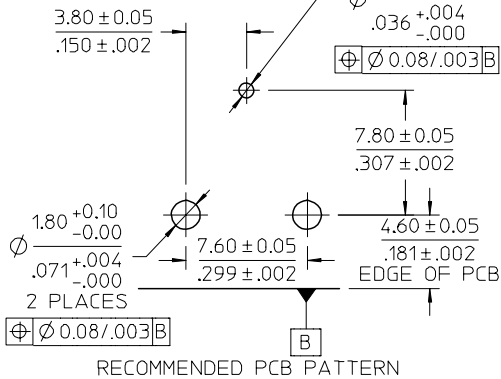
TOP VIEW



THIS LEAD IS FORMED TO FIT
RECOMMENDED PCB PATTERN
DURING INSTALLATION



BOTTOM VIEW



RECOMMENDED PCB PATTERN

PS-73598-0050

PRODUCT SPECIFICATION

SPECIFICATION

DESCRIPTION

73171-3150	73100-0105, ONE PER BAG
73100-0105	BULK
PART NO.	PACKAGING

CHG: REDREW IN SD ADDED P/N 73100-0105	FC NO: URF 2007-0396	DATE: 2007/05/01
	DRWN: FLAHERTY	DATE: 2007/05/01
	CHKD: SHAH	DATE: 2007/05/01
	APPR: JIMENER	DATE: 2007/05/01
REV: C2	DESCRIPTION	QUALITY SYMBOLS

GENERAL TOLERANCES (UNLESS SPECIFIED)	
4 PLACES ± ---	± ---
3 PLACES ± ---	± ---
2 PLACES ± ---	± ---
1 PLACE ± ---	± ---
ANGULAR ± 2 °	

DIMENSION STYLE	
MM/IN	
DRAWN BY	DATE
THOMPSON TSA	1994/09/15
CHECKED BY	DATE
A CHANG	1994/09/15
APPROVED BY	DATE
A CHANG	1994/09/15

SCALE	DESIGN UNITS	THIRD ANGLE PROJECTION
	METRIC	
TITLE		
BNC JACK, R/A, RECEPTACLE		
50 OHMS		
BNC-J/RA/PCB		
MATERIAL NO.		
MOLEX INCORPORATED		

DRAFT WHERE APPLICABLE MUST REMAIN WITHIN DIMENSIONS	SIZE	DOCUMENT NO.	SHEET NO.
SEE TABLE	C	SD-73100-0105	1 OF 1
THIS DRAWING CONTAINS INFORMATION THAT IS PROPRIETARY TO MOLEX INCORPORATED AND SHOULD NOT BE USED WITHOUT WRITTEN PERMISSION			